

Name: Blackhead Remover  
 \*Size:337 x114.5mm  
 折纸  
 印刷色: CMYK /4度印刷颜色

Dotted line

Dotted line

Dotted line

Dotted line

## Blackhead Remover User Manual



### FEATURES

#### #Strong sebum removal

The strong suction force make the deep pore sebum no residual and cleanly remove the whiteheads and the blackheads

#### #Self-help shin care

You don't have to pay high-cost dermatology surgery , you can manage your skin care easily in your daily life.

#### #Three kinds of heads

Three kinds of head are provided for from the wide cheek to the insect bite skin use to ensure the sebum cleaned without residue

#### #Three stage intensity adjust

According to the skin condition and position , the intensity can be adjusted .

- 01 This manual including the composition, usage, precautions of the product.
- 02 Please fully using this instruction manual and precautions before using this product, and familiarize yourself with it.
- 03 This product is not waterproof, when cleaning , please separate the head from the main body and clean only the outside of the body and the head.
- 04 Please charging before the first use of the product:
- 05 This product is not a medical device, but a beauty device.
- 06 Do not stay in the same place for more than 1 second when using, please use it as manual. When you stay in the same place for more than 1 second, it may cause congestion.
- 07 This product must be cleaned after use.
- 08 If continue to use without washing, may cause skin disease.
- 09 The effect of this product varies depending on the situation of each person and the use of cosmetics.
- 10 This product is not a baby product. Be careful to keep and use. Do not let your child use this product. It is not an edible product. Please do not eat or bite.
- 11 Please put the product into the product box during storage, Do not expose in sunlight directly, keep it in a cool place, free of moisture.

Page 1

### CONTENTS

#### 1.Product Information

- 1 - 1 Components ----- Page 3
- 1 - 2 Name of each part ----- Page 3
- 1 - 3 Product Specifications ----- Page 4

#### 2.Using Method

- 2 - 1 Charging method ----- Page 5
- 2 - 2 How to use ----- Page 6
- 2 - 3 Cleaning method ----- Page 7

#### 3.Precautions

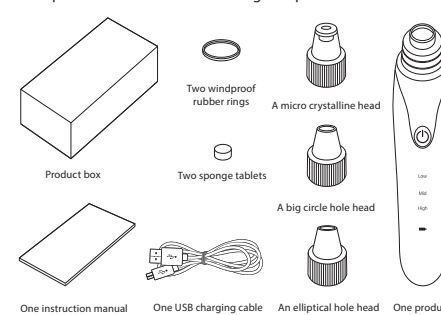
- 3 - 1. Note ----- Page 8

Page 2

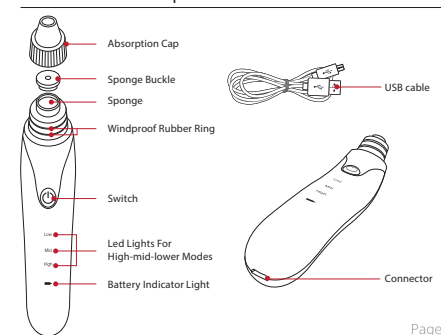
### 1.Product Information

#### 1 - 1 Components

This product includes the following components



#### 1 - 2 Name of each part



Page 3

### 1.Product Information

#### 1 - 3. Product Specifications

The specifications of this product are as follows:

|                         |                                       |
|-------------------------|---------------------------------------|
| Name:                   | Blackhead Remover                     |
| Battery:                | 3.7 v / 600mA                         |
| Size:                   | 43X43 X 194 (length X width X height) |
| Weight:                 | 130g                                  |
| Material:               | PC + ABS                              |
| Year of manufacture:    |                                       |
| Country of manufacture: | People's Republic of China.           |
| Main function:          | Helping clean sebum on the skin.      |

Page 4

Dotted line

Dotted line

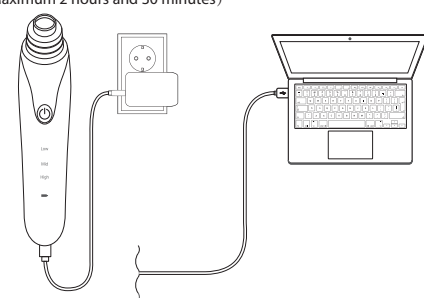
Dotted line

Dotted line

### 2. Using Method

#### 2-1 Charging Method

Please charging before the first use of the product:  
 (The battery charging status is different, the charging time may vary.  
 Maximum 2 hours and 30 minutes)



- ① Connect the micro 5 pin USB cable with the charging connect on the product
- ② Connect the other side of the cable to a 5V 1A plug , or connect it to your computer for charging.
- ③ When all the LEDs on the product light up , the charging finished .

#### Please refer to!

- ※ If the battery icon is blinking with red light during use, it means the battery power is low, so you need to charge it.
- ※ The product cannot be used during charging.
- ※ The LEDs flashing from up to down during the charging.
- ※ All LEDs are on when the battery is charging finished.
- ※ After the battery is fully charged, the maximum usage time is about 1 hour. Depending on the usage mode, the battery status, charging status and environment will be different.

Page 5

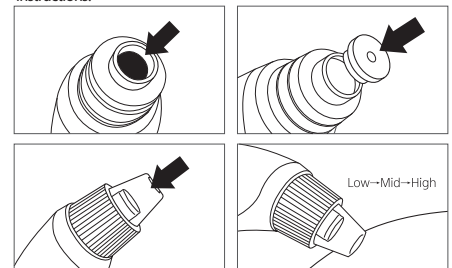
### 2. Using Method

#### 2-2. How to use

※Please familiarize yourself with the function of the heads before using it.

Please confirm whether the components (sponge + sponge plug + head) are working, and connecting them all on the main body. The reasons for the weak suction or the failure may be the lack of a part. The sponge prevents foreign matter such as sebum entering the product inside.

#### Instructions:



- ① Install sponge
- ② Close the sponge plug.
- ③ Install head to be used.
- ④ Press the power button to adjust the suction intensity in the order of Low-Mid-High to inhale sebum.

#### Effective use

- A hot towel that is padded for about 3 minutes in the area where the product is used will be more effective.
- If you stay in one place for more than 1 second, it may cause congestion. Please slowly inhale as if you were pushing it down.
- When finished use . Use cool water or pore shrinking cosmetics to close the pores will help a lot for the pore management .

Page 6

#### Method of replacing the heads

- ① Gently rotate and remove the head.
- ② Make sure that there are 2 windproof rubber bands on fuselage.
- ③ Gently rotate and insert a new head.

※When there are no 2 windproof gland rubber bands on the body, wind leakage / sebum suction may be weak.

#### Three kinds of heads

- Micro crystalline head**  
The Crystalline head removes dead skin by pulverizing + inhaling it from the skin surface .(When the skin is fragile and irritating,use it with caution when causing skin damage)
- Big circle hole head**  
Do not stay for more than 1 second when used in the same place, the skin may cause congestion , so it is forbidden to concentrate on the same place.
- Elliptical hole head**  
Use it to instead of the large round hole head in the specific part such as the bridge of the nose where is difficult to work. Don't stay in one place for more than 1 second, use it like pushing it away. Skin may cause congestion when concentrated in one place.

#### 2 - 3. The Cleaning method

- ※ After use, the working heads should be washed before storing.
- ※ If continue to use without washing, may cause skin disease.

The main body of this product is not waterproof. Please pay attention to cleaning, do not let water or other liquids enter the inside of product.

- ① (Cap) heads, cover, moisturizing cover and moisturizing paper need separated from product body.
- ② Completely dry after washing.
- ③ Wash the lid and nozzle cap with water or wipe with a cotton swab dipped in alcohol then dry completely.
- ④ Assemble the completely dry parts and put them in a box for storage.

Page 7

### 3 Note

#### 3-1 Precautions

1. Before using and storing, you must fully understand the precautions using and store product according to its intended use.
2. This product is not waterproof. Please be careful not to let water or liquid enter inside of product.
3. Please charging before the first use of the product.
4. Please do not use in wound or in fragile parts of the skin.
5. Do not stay for more than 1 second when used in the same place, the skin may cause congestion . use it like pushing it away.
6. Use crystalline head may thinner the skin , please use it one time in a week and within 5mins.
7. Do not use other exfoliating products before or after use.
8. Please confirm whether the completely dry sponge is installed in the head cup before use. When using a wet sponge, liquids will enter product and malfunction.
9. This product should not be used for cosmetic and surgical patients, pregnant women, skin patients, sensitive skin.
10. Remove the moisture from the skin before use.
11. Do not press hard on the skin when using.
12. This product is not a medical device, but a beauty machine, which may have a difference in effect depending on individual differences.
13. If the skin is abnormal due to using of product, stop using it immediately and consult a professional doctor.
14. If there is any problem with the product, please stop using it immediately and consult the manufacturer or seller or the place of purchase immediately.
15. Don't throw or hit products
16. Do not store in a place where the temperature is too low or too high and in a damp place.
17. Do not put the product in quilts, electric blankets and cars.
18. Both the certified genuine charger and the cable attached to this product must be used at the same time.
19. This product is not a baby product. Be careful to keep and use. Do not let the child use this product.
20. This product is not an edible product. Do not bite.
21. Please pay attention do not let other metal products or liquids come into or contact with the charger of the product.
22. The user's behavior of disassembling, assembling, repairing and modifying the product may cause of the malfunction, and the resulting product failure cannot be repaired.

Page 8

Page 9